



U-PULL-IT DEMOLITION DERBY WORLD RECORD ATTEMPT SATURDAY 18TH APRIL 2020



NOMINATION FORM

PLEASE ENSURE ALL DETAILS ARE SUPPLIED CLEARLY AND ACCURATELY –
ESPECIALLY WITH REGARDS TO BANKING INFORMATION

NAME: (Full name)

ADDRESS: POSTCODE:

PHONE: (BH) HOME: MOBILE:

EMAIL:

CAR NO:..... CAR TYPE.....

SPONSORS NAMES FOR PROGRAM.....

Murray Machining & Sheds Murray Bridge Speedway is a Speedway Australia Track. Demolition Derby Drivers must be Speedway Australia licenced. Purchase these online at:
<https://licences.speedwayaustralia.net.au/nasr/applyDayLicence/>

SPEEDWAY AUSTRALIA LICENCE No: DIVISION.....

Please choose one of the following to confirm your GST status in relation to your racing at events conducted by Murray Bridge Speedway

- HOBBYIST**
I hereby notify and declare that I am a hobbyist in relation to my participation in events as conducted by Murray Bridge Speedway
- ABN but NOT GST Registered**
I hereby notify and declare that I have an ABN, but am not registered for GST, in relation to my participation in events conducted by Murray Bridge Speedway
- ABN and GST Registered**
I hereby notify and declare that I am registered for GST in relation to my participation in events as conducted by Murray Bridge Speedway

***Should my GST Status change, I will immediately notify Murray Bridge Speedway*
 If you are registered for GST, the relevant Murray Bridge Speedway will provide you with a recipient created tax invoice for any money paid to you.

PRIZEMONEY PAYOUT: Please provide account details for direct credit of prizemoney - please ensure that details are complete and accurate.

Acc Name:

Bank:

BSB: Acc #:

Pit Admittance - With Speedway Australia Licence (Crew) \$40
General Admittance to the pits is \$50

Nomination Fees: \$100 per car Nomination includes driver entry to pits if submitted to Murray Bridge Speedway by Friday April 10th 2020.

Prizemoney: If 100 cars participate, the winner will receive \$10,000; 2nd \$2000; 3rd \$1000.
 If 50 to 100 cars participate, the winner will receive \$5,000; 2nd \$2000; 3rd \$1000.
 Most Damaged will receive \$500; Best Looking Car will receive \$500.

All prizemoney will be electronically transferred into your nominated account within 30 days of each race meeting. No cash or cheques will be paid. All prizemoney is inclusive of GST. Prizemoney will be forfeited if bank details are not provided within 60 days of the event.

Trophies: Winner, Most Damaged & Best Looking Car.

Scrutineering: 2pm – 4pm unless by prior arrangement.

ALL CARS MUST BE IN PITS BY 2PM AND DRIVERS TO ATTEND DRIVER BRIEFING AT 4.45PM

***Cars can be dropped off the night before (Friday, April 17th) from 5pm - 8pm.*

Signed: _____ **Date:** _____



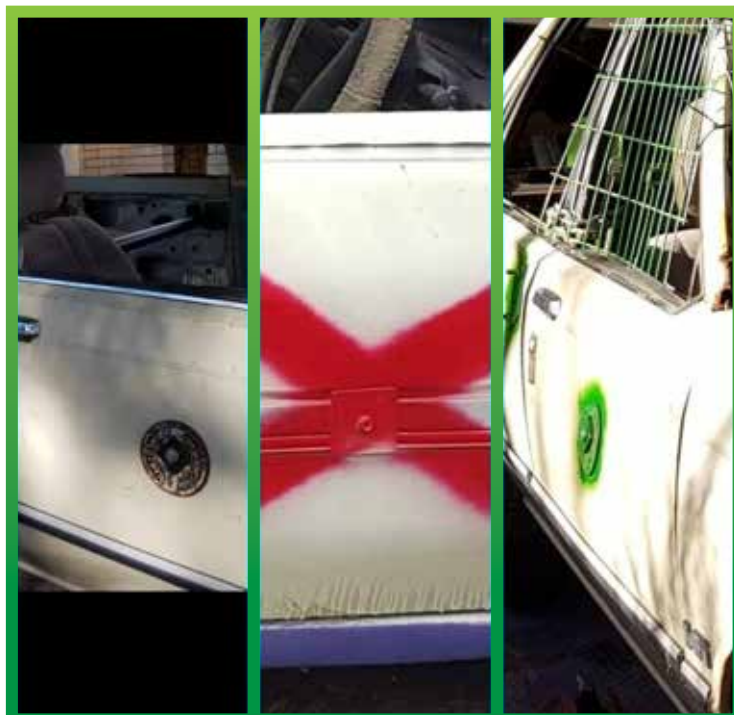
PLEASE RETURN TO:
 THE MANAGER, MURRAY BRIDGE SPEEDWAY
 PO BOX 1570, Murray Bridge SA 5253
 or email to: office@murraybridgespeedway.com
 ENQUIRIES: 08 8532 1150

VEHICLE SPECIFICATIONS

**PLEASE READ THE FOLLOWING RULES CAREFULLY -
ALL RULES WILL BE STRICTLY ENFORCED.**

**PLEASE NOTE: ALL VEHICLES MUST BE IN STANDARD CONDITION EXCEPT FOR MODIFICATIONS
ALLOWED IN THESE SPECIFICATIONS**

- Format: **Forward only, full contact, Demo Derby Race for front wheel drive, 4 cylinders with a maximum engine capacity of 1.8 litres.**
- Open to front wheel drive 4 cylinder vehicles ONLY e.g. Hyundai Excel, Daewoo, Ford Laser, Mazda 323, Suzuki Swift, Daihatsu Charade, and Toyota Corolla. If you're not sure, please seek clarification on cars by contacting **Geoff Flack on 0449 276 946** or **Murray Bridge Speedway on (08) 8532 1150.**
- NO PASSENGERS ARE ALLOWED.
- No relieving of guards or panels to allow greater wheel clearance.
- Diff's are open. There is to be NO WELDING or LOCKED DIFFS at all. **This will be checked at scrutineering.**
- Wheels and tyres are to be standard type, not rally/mud/snow type tyres. All wheel weights must be removed.
- NO screws to be used whatsoever in attaching items – nuts and bolts are OK.
- All mouldings, head lights, tail lights, and badges must be removed - NOT BROKEN.
- All glass must be removed properly, **NOT BROKEN IN PLEASE.** NO GLASS fragments left in vehicle. All cars are to be cleaned out (no loose objects). All of the floor carpet or coverings must be removed.
- Interior roof hood lining must be removed.
- The driver's door and off side passengers (the door behind the driver), are to be stitched welded (every 300mm).
- All doors to be chained shut with a bolt going through the chain OR belted with seatbelt and wrapped at least 3 times and then wrapped again in tape.
- A 3mm metal plate must be slid down the inside skin of the driver's door only. Also, there must be a ½" bolt that is to go through the door skin and plate with big washers attached to the outside of the door, any excess bolt is to be removed. The plate is not to be protruding past the height of the door skin.



VEHICLE SPECIFICATIONS

- The windscreen and the driver's door must have mesh covering it.
- There should be 3 bonnet chains/seatbelt straps on the bonnet. One on the front left and front right side of the bonnet and one on the rear of the bonnet in the centre.
- No tow bars.
- Battery may be run in original position.
- Battery alternative – battery may be relocated to the left hand side of the front floor of the car. Battery must be covered with rubber and mounted securely (ie with chain over the top and with a threaded rod through the floor, or a cradle bolted to the floor).
- Radiators (if used), must be in original position.
- Fan blades may be removed.
- No additional heater tanks, radiators or top-up bottles.
- Fuel Tanks - If original tanks are used a maximum of 20 litres of fuel can be carried.
- Fuel Tanks alternative - tank must be a steel jerry can or outboard motor fuel tank, which must be secured to the middle of the rear seat on the floor in a safety cradle. Original tank must be holed.
- Absolutely NO plastic bottles permitted.
- The original fuel line must be used from the engine bay to the entrance of the fuel tank where an approved one (1) metre (maximum length), flexible fuel hose may be used. This is to be professionally constructed – no plastic tanks.
- Located immediately behind the driver's seat – one (1) tube steel bar from pillar to pillar (centre pillars or rear doors OK) must be used. Round Tube or Square tubing must be at least 38mm x 3.0mm.
- NO galvanized pipe or tube to be used whatsoever.
- On the ends of each bar, plates of not less than 100mm x 100mm are to be welded on each end. This bar is then to be bolted through 100mm x 100mm washers on the outside of the door or pillars, not welded. Using at least two (2) x 6mm thick bolts each side through pillars or rear doors and plates. Bolts must be bolted from outside inwards.
- One floor to roof bar is to be placed behind the driver with a 100mm x 100mm plate welded on each end and bolted to the roof and floor, using a 100mm x 100mm washer on the outside. Using at least two (2) x 6mm thick bolts each side through pillars or rear doors and plates. Bolts must be bolted from outside inwards.



VEHICLE SPECIFICATIONS

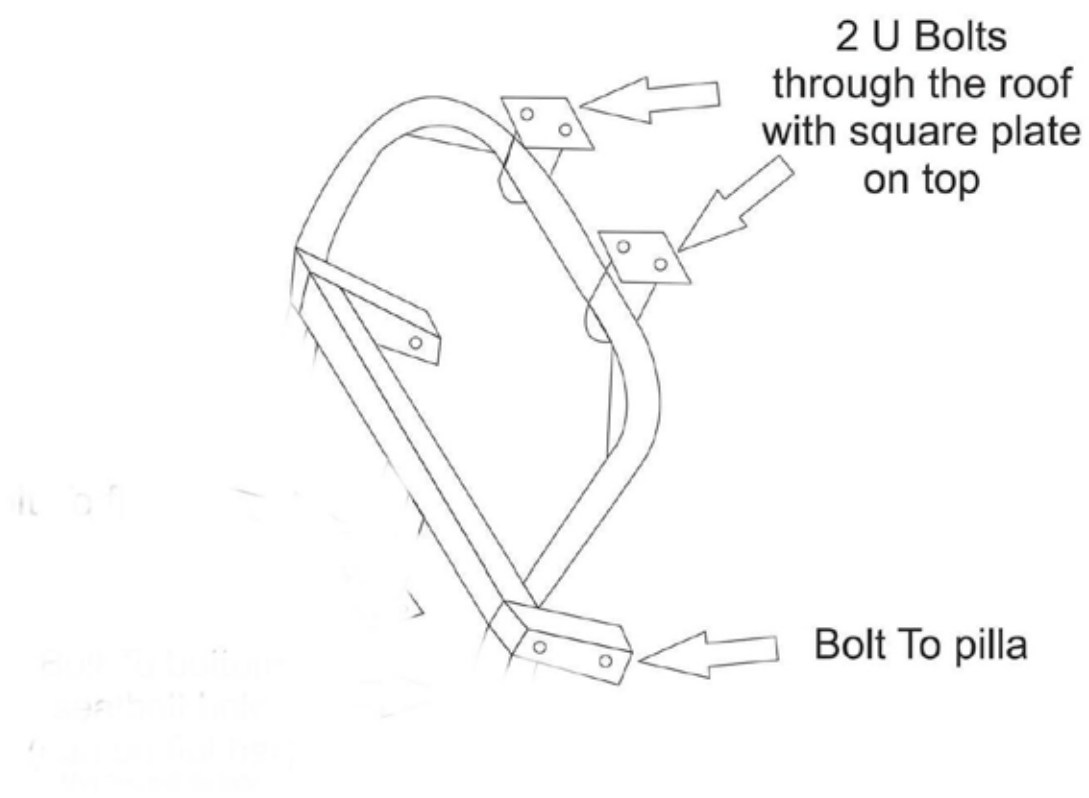
- Roll Cage alternative - A full roll cage may be used.
- Approved seat belts must be fitted to the vehicle. Standard vehicle seatbelts are allowed or properly fitted, Competition, four or five point harnesses are permitted and recommended. Belts must be in good condition - i.e. no frayed edges.
- The headrest of the driver's seat must be taped to the vertical bar behind the seat with gaffa tape. This is to be wrapped around multiple times to stop the seat collapsing.
- Car numbers must be in large lettering on each side of the vehicle or a roof number plate no smaller than 300mm x 300mm white numbers on black. The numbers must be able to be clearly read from a distance in a contrasting colour to that of the car.
- All Drivers doors must be painted in white paint with a red cross. If the car is red or white, it is to be painted in a contrasting colour to the rest of the vehicle and marked with a cross.



- All sign writing will be inspected. Anything deemed to be in bad taste by the officials must be removed.
- Foam cushioning is recommended.
- All brakes must be in working order.
- Any questions, please contact **Geoff Flack on 0449 276 946** or **Murray Bridge Speedway on (08) 8532 1150**. Info will also be available on the “**Demo Derby World Record Attempt**” Facebook page.

VEHICLE SPECIFICATIONS

New Hop Bar design



Minimum required sizes / thicknesses

Round pipe 38mm min 3 mm wall

Can use square must be minimum 65x65 3mm wall

And must have 100x100 triangle gussets in both corners

unless stated other wise on diagram



U-PULL-IT DEMOLITION DERBY WORLD RECORD ATTEMPT
SATURDAY 18TH APRIL 2020



VEHICLE SPECIFICATIONS

- Drivers Brief will be held at 4:45pm. This is compulsory for all drivers. If unable to attend the drivers briefing, competitors must contact Murray Bridge Speedway by telephone and make alternative arrangements to be briefed prior to racing.
- Open to all competitors, male and female, over the age of 16 years, with a full Speedway Australia or SA one day license that includes PA insurance.
- No consumption of alcohol less than 12 hours before said event. Anybody found intoxicated will be banned from the current and any future Demolition Derbies at Murray Bridge Speedway. No drinking of alcohol in the pits until the completion of the race meeting.
- This Demo Derby is FORWARDS only.
- The event is started 3 wide with each car touching the car in front, nose to tail when the RED light is turned to GREEN.
- **Cars must make contact when overtaking.** If drivers do not make contact when overtaking, they will be in breach of the rules and will be disqualified from winning the event and any award or prize money associated.
- In the event of a YELLOW light being shown, cars are to move under caution to the start line to restart. 3 wide with each car touching the car in front nose to tail when the YELLOW/RED light is turned to GREEN.
- The officials may at any time change the lights back to RED in the event of an accident or fire.
- All action must cease immediately when the RED light is on.
- Once your car has been scrutineered, a chequered flag will be taped to the driver's side door. When your car is no longer running for more than 2 minutes, the flag must be snapped off. Cars without flags attached are deemed to be out of the competition and are to be avoided.
- Full faced crash helmets (**NOT open faced**) and neck braces are compulsory and seat belts must be of an approved type and be worn at all times.
- Competitors must be dressed from head to toe – no exposed skin. Cotton drill overalls or better is strongly advised. No nylon or synthetic clothing allowed. NO THONGS, SHORTS OR T-SHIRTS ARE ALLOWED.
- Uniforms should be clean and free from oil, grease and petrol.
- Any cars immobilized for longer than one (2) minutes will be deemed to be out of the event.
- ANY CARS DEEMED BY OFFICIALS NOT TO BE PARTAKING IN THE DEMOLITION DERBY WILL BE AUTOMATICALLY DISQUALIFIED.
- ANY DRIVER'S DOOR DEEMED TO BE HIT DELIBERATELY BY A FELLOW COMPETITOR; THE OFFENDING DRIVER WILL BE INSTANTLY DISQUALIFIED.
- Decision of Judges, Referees and Scrutineers are final. No protest will be considered.
- Management of Murray Bridge Speedway have the right to refuse the entry of any driver without reason.
- The winner will be decided by whomever the last car is running.